



Filling and drainage station
maximat DN50 FuE2
Water spray systems

*Cool down.
Fire Protection by*

MINIMAX

Product

▶ When using this extinguishing water system the dry spray water extinguishing water conduit is directly connected to the drinking water supply by means of the filling and drainage station DN50 FuE2. In case of operation at detection by means of an optical smoke detector or a thermo detector in a 2-line-dependence (extinguishing water request) the filling and drainage station is activated and a water inlet is effected by means of an open clearing nozzle system. After termination of the extinguishing procedure the extinguishing water conduit drains self-actuating by means of the filling and drainage station.

The system is delivered in the form of a "modular construction" for 10 m², 20 m² or 50 m² area to be protected with all necessary constructional components as optical smoke detectors (series OMX), thermo detectors (series WMX), manual release device, horn and spray water extinguishing nozzles in required quantity.

Application

▶ The filling and drainage station DN50 FuE2 is applicable as well in the scope of new installation as for system separation of existing extinguishing water plants acc. to DN 14462 and DIN 1988-600.

▶ Typical application areas are:

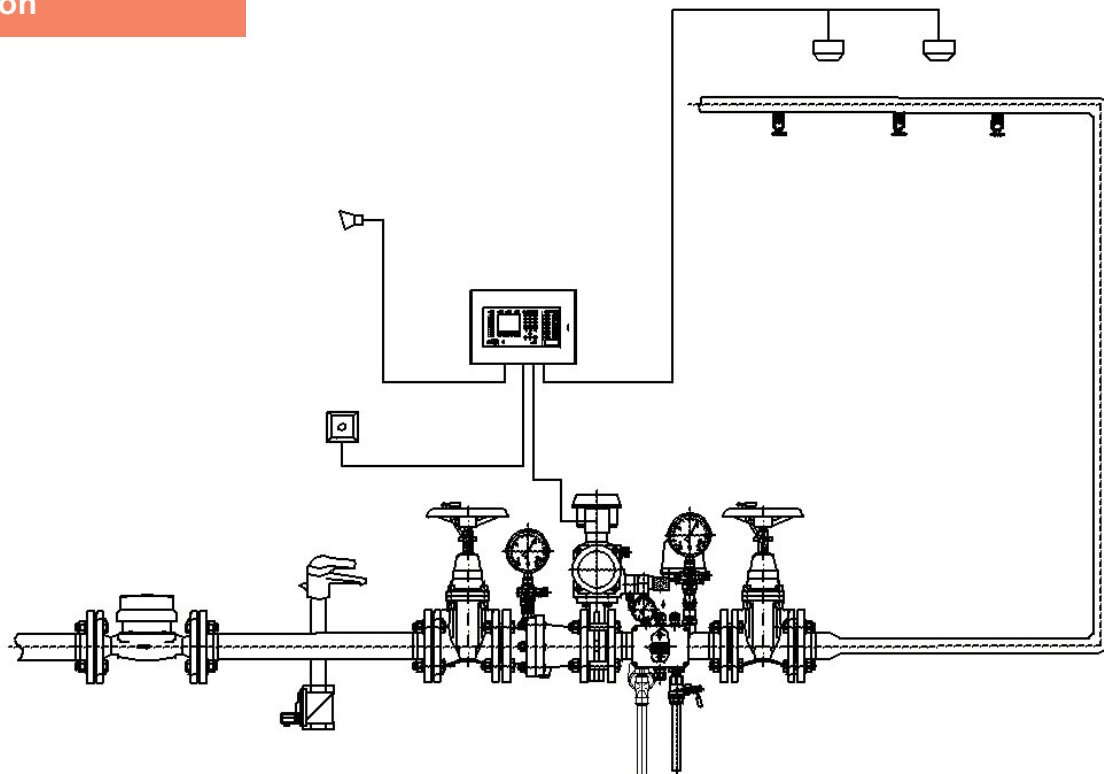
- small stages
- kiosks
- small shops
- wall breaks in fire areas
- garbage chutes
- other areas up to 50m² are to be protected

▶ The construction of the plant is effected each object-related in consideration of the piping network isometry, the resulting mathematical proof and all further technical requirements.

Your advantages

- ▶ long-life cycle due to high-quality materials
- ▶ due to compressed air controlled drive no stagnation water = "Where's no water, there's no stagnation"
- ▶ low place requirement
- ▶ directly connected to the drinking water supply in application areas with small and middle danger of burning
- ▶ "modular system" for 10 m², 20 m² or 50 m² area to be protected
- ▶ aerodynamic construction of the DVGW-certified and VdS-approved whole valves, adapted to the current market requirements of the water providers
- ▶ an especially developed control cabinet for this case of operation control and retransmission possibilities to the building control system
- ▶ low maintenance costs due to acuator without membrane as well as good accessibility of all valve parts and control elements
- ▶ high quality standard by means of control from the fire-alarm systems

Function



Scope of delivery

This filling and drainage station acc. to DIN 14463-2 with DVGW-certification and VdS-approval and consists of the following components:

- ▶ gate valve
- ▶ backflow preventer
- ▶ isolation valves
- ▶ control electronics type GAB6 72 NSV / type MOD S

Additional components for "modular system"

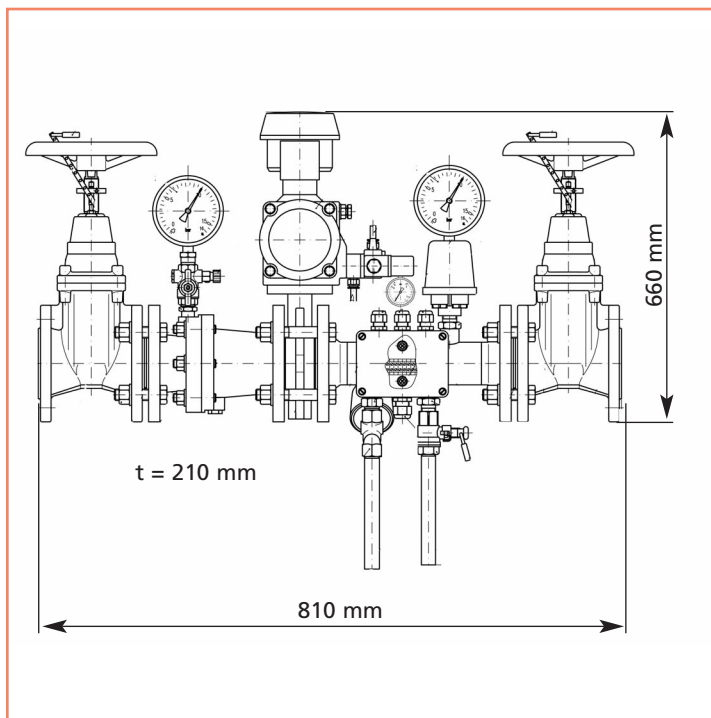
- ▶ optical smoke detector (series OMX)
- ▶ thermo detector (series WMX)
- ▶ manual release device
- ▶ horn
- ▶ spray water extinguishing nozzles

Maintenance

- ▶ The construction of the plant is effected each object-related in consideration of the piping network isometry, the resulting mathematical proof and all further technical requirements.
- ▶ Your Minimax Service takes over all works for inspection, maintenance and repair.

Technical data

- ▶ operating voltage: 230 V
control voltage: 24 VDC
frequency: 50 Hz
- ▶ equivalent length - 12,7 m (pipe 60,3 x 2,6)
loss of pressure - 0,7 bar bei 720l/min
- ▶ control electronics
type: GAB6 72 NSV with
VdS-approval-no.: G-298006
regulations: EN54-2, -4; VDE0833; DIN 14463-2
- ▶ DVGW-registration-no.: NW 9911BT0534



Das Unternehmen ist gemäß ISO 14001:2004 zertifiziert.

Minimax Mobile Services GmbH & Co. KG
Minimaxstraße 1 | D-72574 Bad Urach
Tel.: +49 7125 154-0 | Fax: +49 7125 154-100
E-Mail: mobile@minimax.de | www.minimax.de
www.minimax-mobile.com

Minimax Brandschutzcenter Hamburg
Competence Center Löschwassertechnik
Osterrade 23 | D-21031 Hamburg
Tel.: +49 40 251966-20 | Fax: +49 40 251966-19
E-Mail: loeschwassertechnik@minimax.de