



MINIMAX

MOBILE SERVICES



Fire Protection Trough for IBCs

BWCon 1.400

PRODUCT

- ▶ The Minimax steel fire protection trough with integrated flame barrier has a capacity of 1,400 litres of liquid.
- ▶ It is intended to provide safe storage of IBCs (Intermediate Bulk Containers) filled with up to 1,000 litres of flammable liquid.
- ▶ In the event of a fire involving an IBC and subsequent damage, the Minimax fire protection trough contains as far as possible the escaping liquid and prevents contact with the source of the fire on the IBC. This prevents uncontrolled spreading of the fire by the burning liquid.
- ▶ In the case of fire, the splashing out of combustible liquid on the removal side is prevented to a great extent by a base splash guard.

APPLICATION

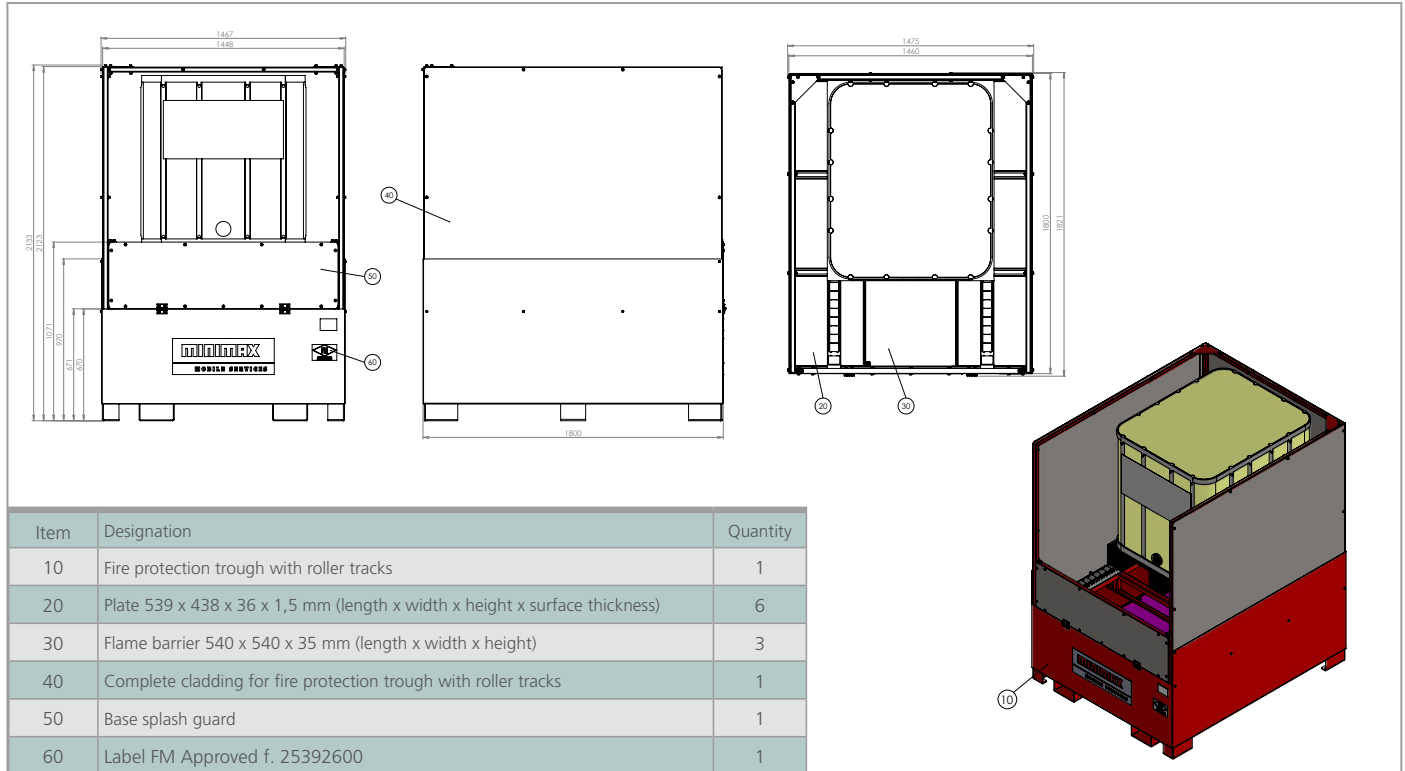
- ▶ The Minimax BWCon 1.400 fire protection trough is used wherever IBCs filled with up to max. 1,000 litres of flammable liquid are stored.
- ▶ Typical fields of application:
 - Chemical industry
 - Mineral and petrochemical industries
 - Tyre manufacturing
 - Rubber processing
 - Electroplating operations
 - Light alloy processing
 - Wood-processing industry
 - Textile industry
 - Food industry
 - Logistics industry

THE BENEFITS TO YOU

- ▶ Shielding of the flammable liquid from the damaged IBC by a flame barrier in the event of a fire
- ▶ In addition to the 1,000 litres of flammable liquid from the IBC there is the ability to accommodate a further 400 litres of extinguishing agent. This volume is introduced into the fire protection trough via a sprinkler system during an approx. 20 minute extinguishing time
- ▶ No overflowing and thus no spreading of flammable/burning liquid
- ▶ All-round spray protection provided by back wall, 2 side walls and 60 cm high extension at the front of the fire protection trough with a base splash guard
- ▶ Simple front loading despite front extension and fold-down splash protection through use of pallet roller tracks
- ▶ Filling and dispensing provisions
- ▶ Corrosion-resistant paint finish in RAL 3000 (red)
- ▶ Forklift truck or pallet truck fits directly underneath
- ▶ With stacker mountings as standard for forklift transportation.

FUNCTION

- ▶ When a fire involving an IBC filled with a flammable liquid occurs, the IBC melts and allows the liquid to escape.
- ▶ A 60 cm high extension at the front of the fire protection trough with a base splash guard and 3 closed walls provide spray protection and prevent uncontrolled release of liquid across the floor from the damaged IBC.
- ▶ The flammable or burning liquid flows through the flame barrier, a stainless-steel mesh filter mat, into the fire protection trough. This flame barrier separates and shields most of the flammable liquid from the fire at the IBC. Then the fire can be extinguished easily, e.g. by a sprinkler system or fire extinguisher.
- ▶ If a sprinkler system is triggered by the fire at the IBC, the Minimax fire protection trough holds not only the 1,000 litres of flammable liquid from the IBC, but also an additional 400 litres of extinguishing agent. This volume is introduced into the fire protection containment until via a sprinkler system during an approx. 20 minute extinguishing time.



LOADING

- ▶ The Minimax BWCon 1.400 fire protection trough is loaded from the front. To make this possible, the low-profile splash protection can be folded down.
- ▶ Pallet roller tracks permit loading by forklift trucks having standard-length forks despite the extension at the front of the fire protection trough.

SCOPE OF SUPPLY

- ▶ Fire protection trough, including flame barrier.
- ▶ Base splash guard, two side walls and a back wall of galvanised sheet metal.
- ▶ Forklift fittings for safe transport

NOTE

- ▶ No flammable materials may remain within a radius of 2 m of the extraction side of the fire protection trough.
- ▶ The operator should conduct regular visual inspections of the fire protection trough and check that the flame barrier is not fouled, thus allowing liquid to pass through, and also whether there is liquid in the trough.
- ▶ The Minimax BWCon 1.400 fire protection trough is suited for fluids up to a viscosity of 6,0 mm²/s.
- ▶ Suitable for liquids up to a kinematic viscosity of 6.0 mm²/s.

Minimax Mobile Services GmbH
 Export Department
 Minimaxstraße 1
 D-72574 Bad Urach
 Tel.: +49 (0)7125 154-133
 Fax: +49 (0)7125 154-166
 E-Mail: exportmobile@minimax.de
www.minimax-mobile.com

